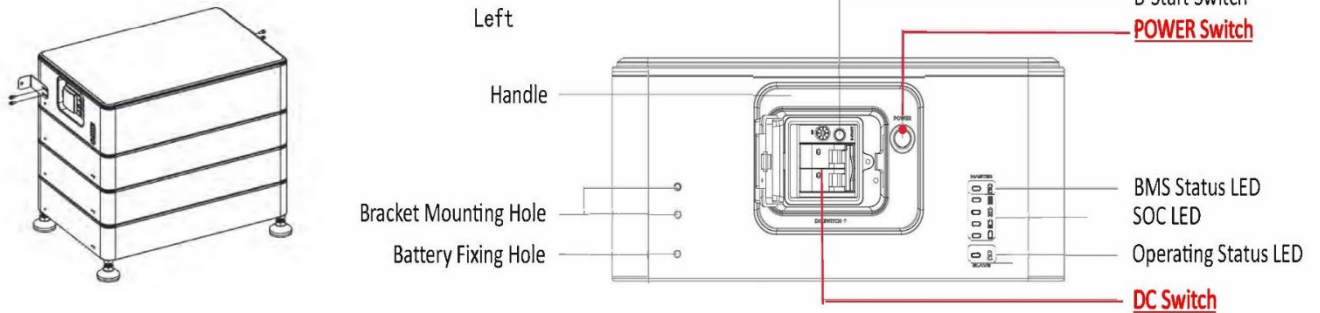


FOX ESS RESTART PROCEDURE

WITH STORAGE (HYBRID)

- 1) Turn off the batteries using the circular **POWER switch** which is located on the control unit to the side of the master battery. (shown below)

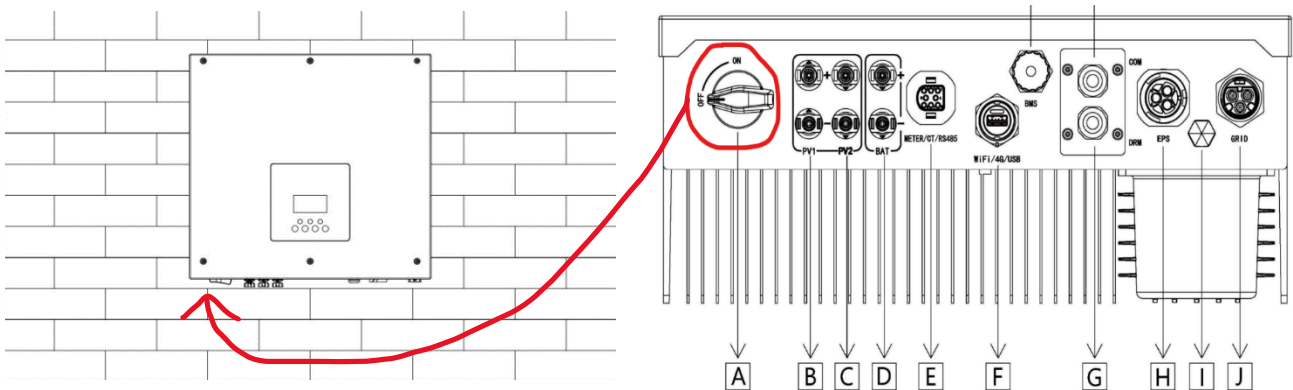


- 2) Turn off the battery **DC switch** also located on the control unit to the side of the master battery. (shown above)



- 3) Turn off the AC isolator rotary switch. This is mounted on the wall near/next to the inverter. (shown next to)

- 4) Turn off **DC Isolator** switch on underside of inverter. (Shown below)



You have now completed the first part of the restart procedure. The next steps are to wait 30 seconds. Then you will inverse this process.

- 1) Turn on **DC Isolator** switch on underside of inverter.
- 2) Turn on the AC isolator rotary switch. This is mounted on the wall near/next to the inverter.
- 3) Turn on the battery **DC switch** also located on the control unit to the side of the master battery.
- 4) Turn on the batteries using the circular **POWER switch** which is located on the control unit to the side of the master battery.

